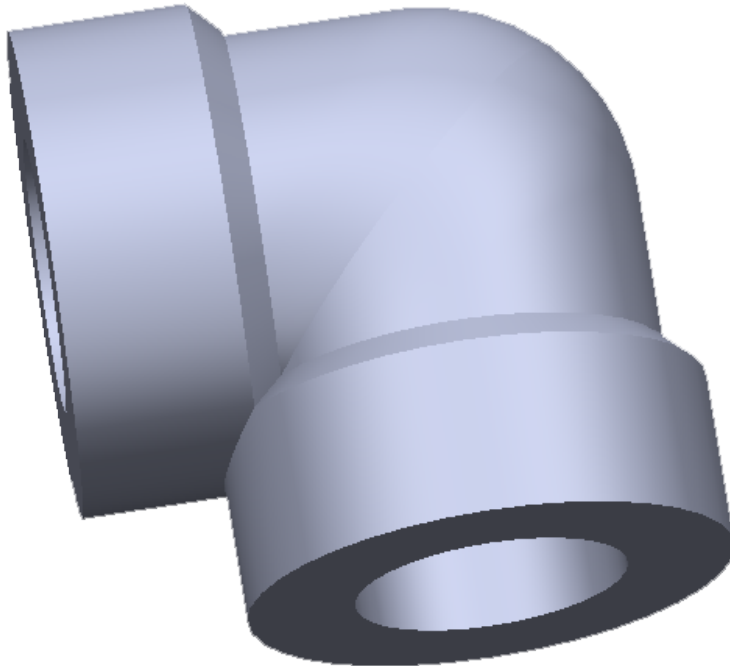


# Socket-weld Elbow 90°

Socket-weld Elbows 90 degrees are available in all types of materials. Custom elbows can be manufactured per customer drawing.



## SPECIFICATIONS

Socket-weld 90° 1/8" through 4" Class 3000

Socket-weld 90° 1/8" through 4" Class 6000

Socket-weld 90° 1/2" through 2" Class 9000

Specifications: ASME B16.11

Other angles, sizes and pressure classes available per customer request

**GIBSON  
PRODUCTS, INC.  
MANUFACTURES  
FROM A WIDE  
VARIETY OF  
MATERIALS**

- Carbon steel
- Stainless steel
- Chrome moly
- Nickel alloy
- Aluminum
- Copper nickel
- Titanium
- Zirconium
- Ferralium
- Materials used for Hydrofluoric Acid (HF) Alkylation Service
- Additional alloys per customer specification