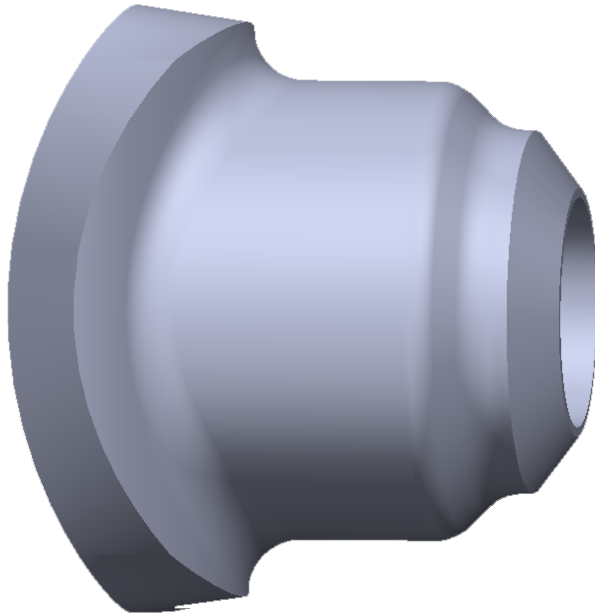


Insert Branch Connection

Branch Connections can be supplied in any applicable schedule or pressure rating and are available in all materials and in sizes ranging from 3/4" through 20", depending on run size and schedule.



SPECIFICATIONS

Butt-weld: 3/4" through 20" all schedules

Specifications: MSS-SP-97 and ASME B31.1

GIBSON PRODUCTS, INC. MANUFACTURES FROM A WIDE VARIETY OF MATERIALS

- Carbon steel
- Stainless steel
- Chrome moly
- Nickel alloy
- Aluminum
- Copper nickel
- Titanium
- Zirconium
- Ferralium
- Materials used for Hydrofluoric Acid (HF) Alkylation Service
- Additional alloys per customer specification