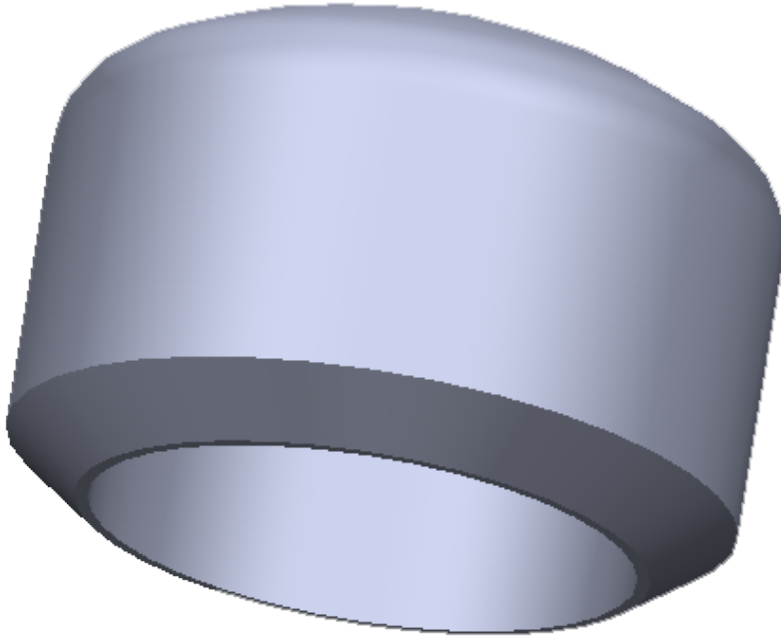


Butt-weld Caps

Butt-weld Caps are available in all types of materials.



SPECIFICATIONS

Butt-weld: 1/2" through 24"

Specification: ASME B16.9

Other sizes and pressure classes available per customer request

**GIBSON
PRODUCTS, INC.
MANUFACTURES
FROM A WIDE
VARIETY OF
MATERIALS**

- Carbon steel
- Stainless steel
- Chrome moly
- Nickel alloy
- Aluminum
- Copper nickel
- Titanium
- Zirconium
- Ferralium
- Materials used for Hydrofluoric Acid (HF) Alkylation Service
- Additional alloys per customer specification