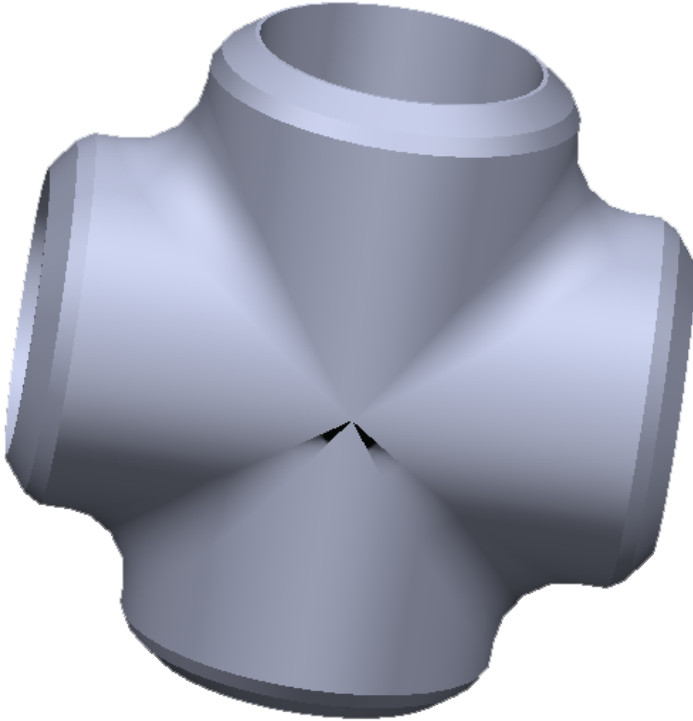


Butt-weld Crosses

Butt-weld Threaded crosses are available in all types of materials.



SPECIFICATIONS

Butt-weld $\frac{1}{2}$ " through 12" All schedules per ASME B16.9

Other sizes and pressure classes available per customer request

**GIBSON
PRODUCTS, INC.
MANUFACTURES
FROM A WIDE
VARIETY OF
MATERIALS**

- Carbon steel
- Stainless steel
- Chrome moly
- Nickel alloy
- Aluminum
- Copper nickel
- Titanium
- Zirconium
- Ferralium
- Materials used for Hydrofluoric Acid (HF) Alkylation Service
- Additional alloys per customer specification