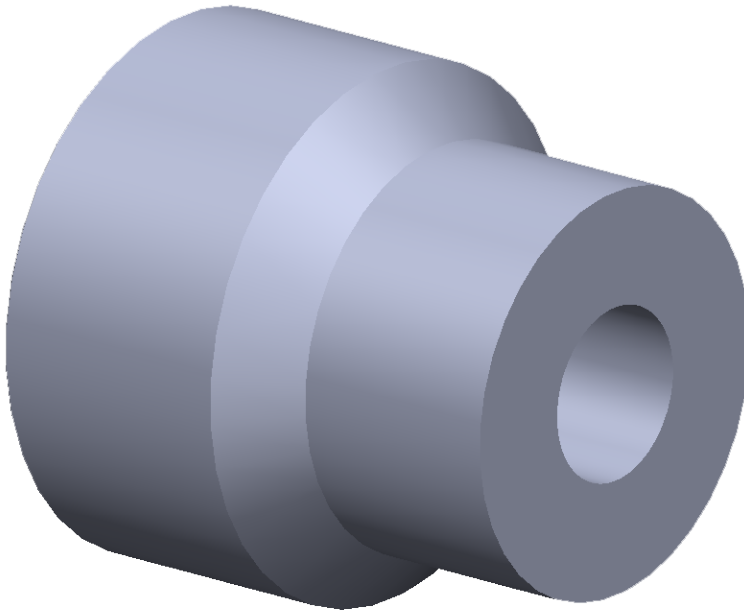


# Inserts

Threaded and Socket-weld Inserts are available in all types of materials.



## SPECIFICATIONS

Socket-weld Reducer Type 1 & Type 2

$1/4''$  X  $1/8''$  through 4'' X 1''

Specifications: MSS SP-79

The female end is defined by the equivalent coupling O.D. ASME B16.11 respective class (3000, 6000, & 9000). Female side is also available in threaded configurations

**GIBSON  
PRODUCTS, INC.  
MANUFACTURES  
FROM A WIDE  
VARIETY OF  
MATERIALS**

- Carbon steel
- Stainless steel
- Chrome moly
- Nickel alloy
- Aluminum
- Copper nickel
- Titanium
- Zirconium
- Ferralium
- Materials used for Hydrofluoric Acid (HF) Alkylation Service
- Additional alloys per customer specification