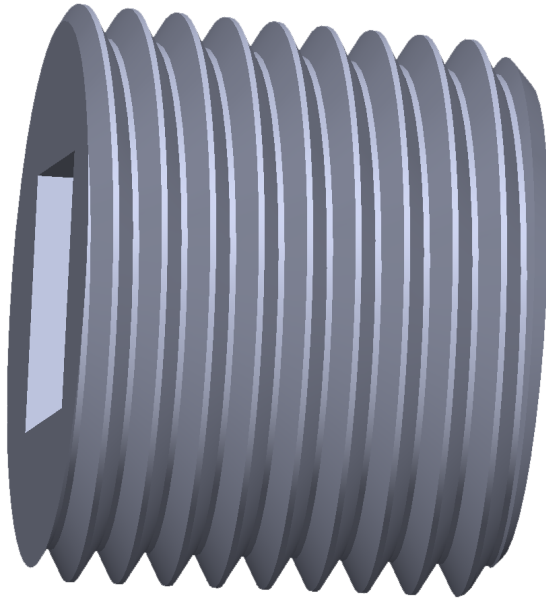


# Countersunk Plugs

Gibson offers a complete range of male Socket-weld and male Threaded plugs. Plugs are available in all grades of materials.



## SPECIFICATIONS

Available sizes:  $\frac{1}{8}$ " through 4"

Specifications: ASME B16.14

Non-standard and special threads also available

**GIBSON  
PRODUCTS, INC.  
MANUFACTURES  
FROM A WIDE  
VARIETY OF  
MATERIALS**

- Carbon steel
- Stainless steel
- Chrome moly
- Nickel alloy
- Aluminum
- Copper nickel
- Titanium
- Zirconium
- Ferralium
- Materials used for Hydrofluoric Acid (HF) Alkylation Service
- Additional alloys per customer specification