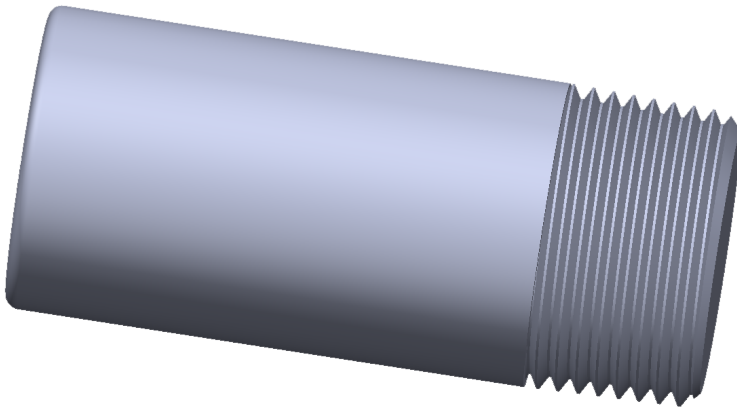


Round Head Plugs

Gibson offers a complete range of male Socket-weld and male Threaded plugs. Plugs are available in all grades of materials.



SPECIFICATIONS

Available sizes: $\frac{1}{8}$ " through 5"

Specifications: ASME B16.11

Non-standard and special threads also available

Also available in special lengths

GIBSON PRODUCTS, INC. MANUFACTURES FROM A WIDE VARIETY OF MATERIALS

- Carbon steel
- Stainless steel
- Chrome moly
- Nickel alloy
- Aluminum
- Copper nickel
- Titanium
- Zirconium
- Ferralium
- Materials used for Hydrofluoric Acid (HF) Alkylation Service
- Additional alloys per customer specification