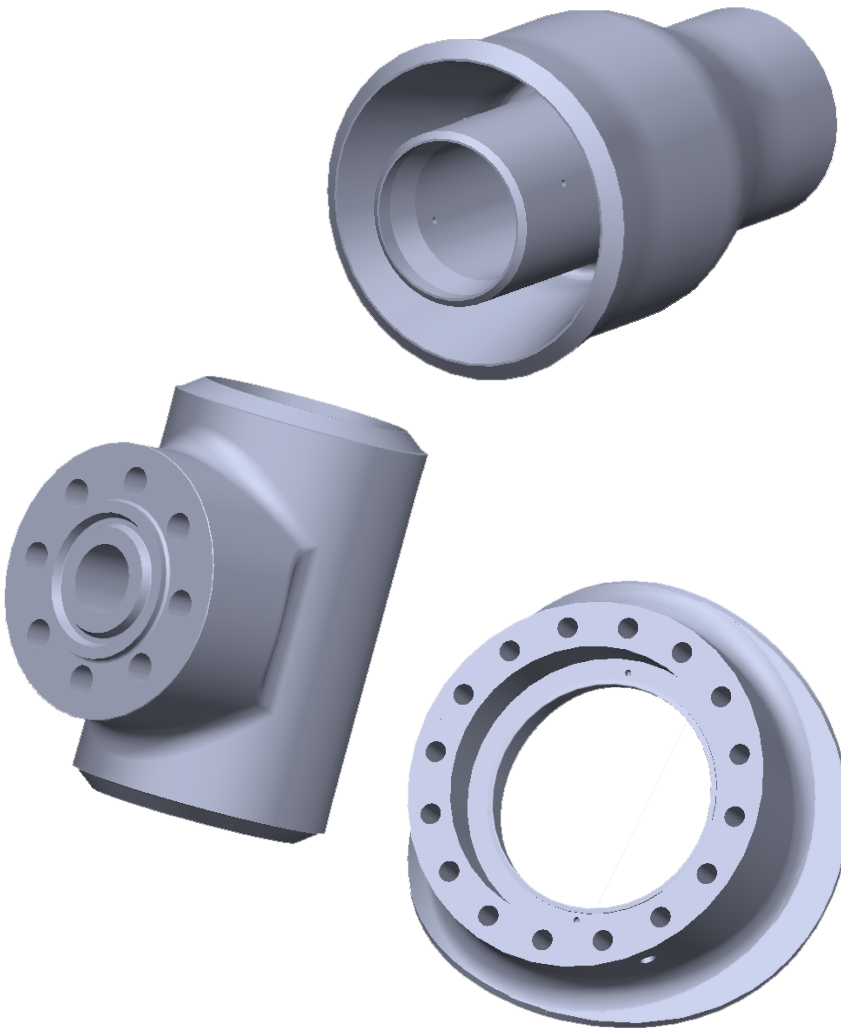


Special

Gibson can manufacture a range of "Special" products designed to perform in a range of challenging industrial applications, and in any grade of material per customer specification.



SPECIFICATIONS

Specifications: Per customer requirements

GIBSON PRODUCTS, INC. MANUFACTURES FROM A WIDE VARIETY OF MATERIALS

- Carbon steel
- Stainless steel
- Chrome moly
- Nickel alloy
- Aluminum
- Copper nickel
- Titanium
- Zirconium
- Ferralium
- Materials used for Hydrofluoric Acid (HF) Alkylation Service
- Additional alloys per customer specification