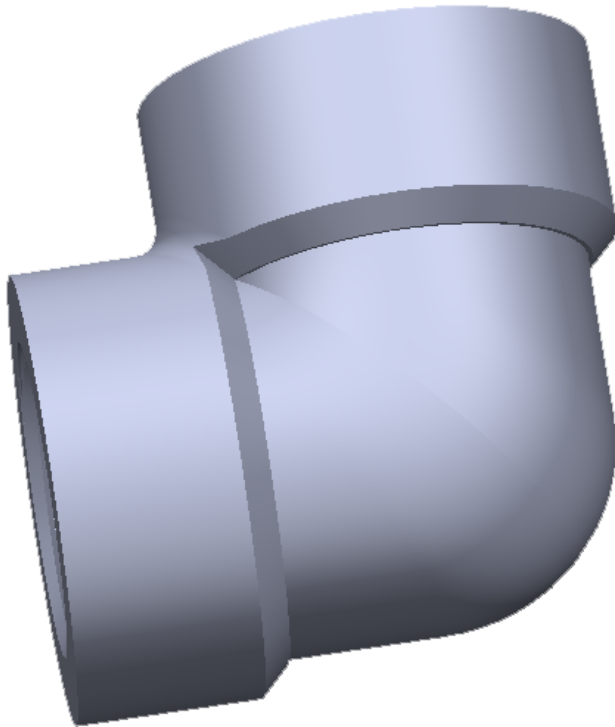


Threaded Elbow 90°

Threaded Elbows 90 degrees are available in all types of materials. Custom elbows can be manufactured per customer drawing.



SPECIFICATIONS

Threaded 90° 1/8" through 4" Class 2000

Threaded 90° 1/2" through 4" Class 3000 & 6000

Threaded 90° 1/4" through 3" Class 10,000

Specifications: ASME B16.11

Other angles, sizes and pressure classes available per customer request

GIBSON PRODUCTS, INC. MANUFACTURES FROM A WIDE VARIETY OF MATERIALS

- Carbon steel
- Stainless steel
- Chrome moly
- Nickel alloy
- Aluminum
- Copper nickel
- Titanium
- Zirconium
- Ferralium
- Materials used for Hydrofluoric Acid (HF) Alkylation Service
- Additional alloys per customer specification