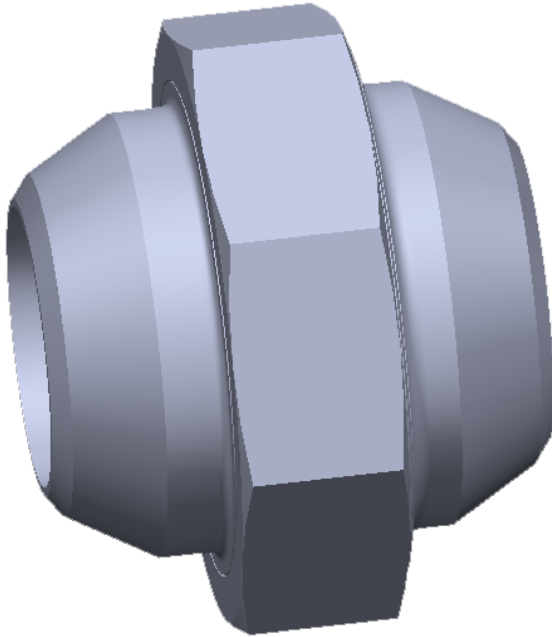


Butt-weld Unions

Butt-weld, Socket-weld and Threaded Unions are available in all types of materials.



SPECIFICATIONS

Butt-weld: $\frac{3}{4}$ " through 2" all schedules

Specifications: Butt-weld ends per ASME B16.25

**GIBSON
PRODUCTS, INC.
MANUFACTURES
FROM A WIDE
VARIETY OF
MATERIALS**

- Carbon steel
- Stainless steel
- Chrome moly
- Nickel alloy
- Aluminum
- Copper nickel
- Titanium
- Zirconium
- Ferralium
- Materials used for Hydrofluoric Acid (HF) Alkylation Service
- Additional alloys per customer specification