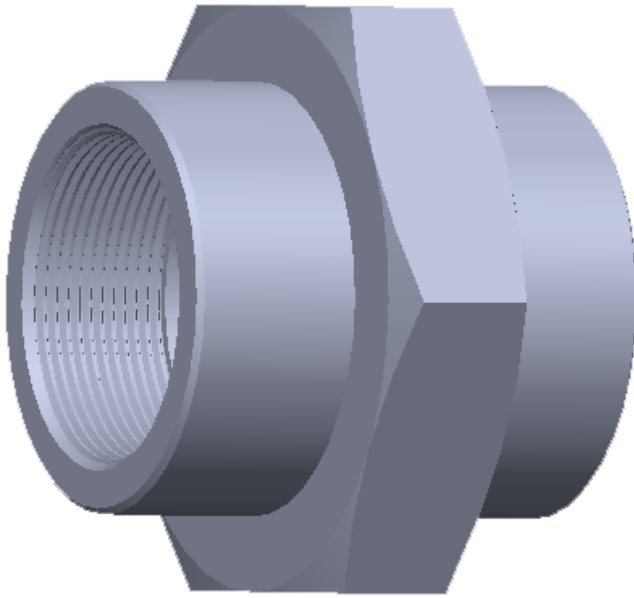


Threaded Unions

Butt-weld, Socket-weld and Threaded Unions are available in all types of materials.



SPECIFICATIONS

Threaded: $\frac{1}{8}$ " through 4" Class 3000

Threaded: $\frac{1}{8}$ " through 2 $\frac{1}{2}$ " Class 6000

Threaded: $\frac{1}{4}$ " through 2" Class 9000

Specifications: MSS SP-83

**GIBSON
PRODUCTS, INC.
MANUFACTURES
FROM A WIDE
VARIETY OF
MATERIALS**

- Carbon steel
- Stainless steel
- Chrome moly
- Nickel alloy
- Aluminum
- Copper nickel
- Titanium
- Zirconium
- Ferralium
- Materials used for Hydrofluoric Acid (HF) Alkylation Service
- Additional alloys per customer specification